

Features:

- Lead Frame & Injection Technology
- High Efficiency Up to 83%
- Input / Output Isolation 1K Vdc Or 3K Vdc(H)
- 100% Burn-In
- Un-Regulated type
- Net Weight : 1.6 g / 2.1 g Typical
- Custom Design Available

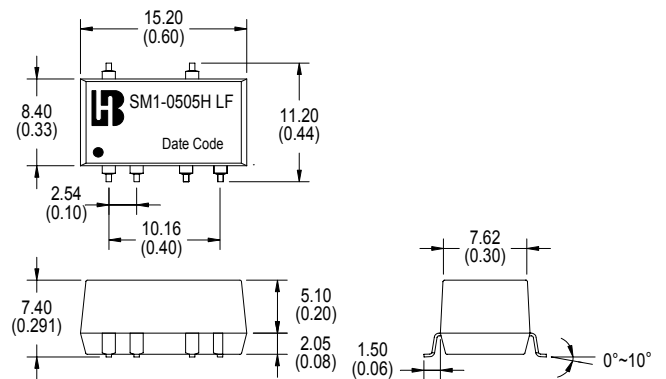
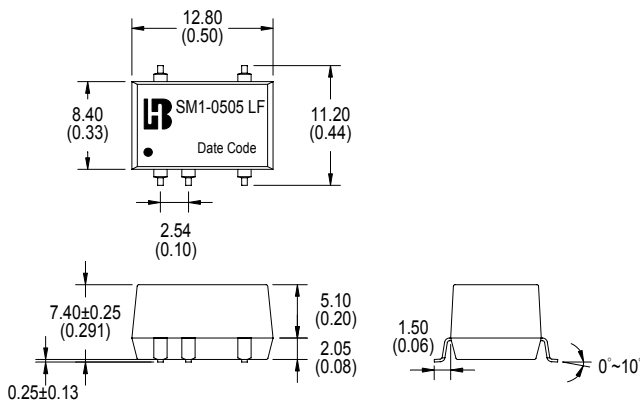
Technical Specification(1/2):

Model No.	Input Voltage (Vdc)	Output Voltage (Vdc)	Output Current (mA) Max	Input Current @No Load (mA) Typ.	Input Current @Max. Load (mA) Typ.	Output Ripple (mV) Max.	Load Regulation (%) Max.	Efficiency (%)Typ.
1) Single Output Series								
SM1-053R3(H) LF	5	3.3	200	22	171	60	± 12	77
SM1-0505(H) LF		5	200	25	246	60	± 10	81
SM1-0509(H) LF		9	110	23	254	80	± 10	78
SM1-0512(H) LF		12	84	25	252	100	± 8	80
SM1-0515(H) LF		15	67	28	248	120	± 8	81
SM1-123R3(H) LF	12	3.3	200	12	73	60	± 12	75
SM1-1205(H) LF		5	200	15	100	60	± 8	81
SM1-1209(H) LF		9	110	15	105	80	± 8	78
SM1-1212(H) LF		12	84	15	103	100	± 6	81
SM1-1215(H) LF		15	67	14	100	120	± 6	83
SM1-243R3(H) LF	24	3.3	200	6	44	60	± 8	67
SM1-2405(H) LF		5	200	7	63	60	± 5	71
SM1-2409(H) LF		9	110	6	60	80	± 5	73
SM1-2412(H) LF		12	84	8	58	100	± 5	76
SM1-2415(H) LF		15	67	8	58	120	± 5	77

Mechanical Dimensions (1/2):

Single Output Series (For Isolation Voltage 1KVdc)

Single Output Series (For Isolation Voltage 3KVdc)



Pin	1KVdc - Single		Pin
1	-Vin	NC	14
3	+Vin	No Pin	12
5	No Pin		10
7	-Vo	+Vo	8

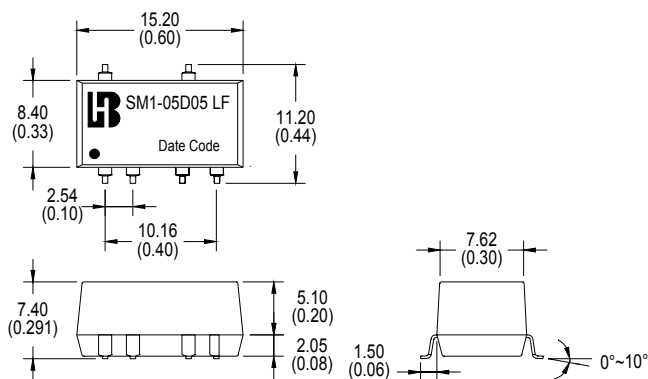
Pin	3KVdc - Single		Pin
1	-Vin	N.C.	18
3	+Vin	No Pin	16
5	No Pin	No Pin	14
7	-Vo	+Vo	12
9	NC	No Pin	10

Technical Specification (2/2):

Model No.	Input Voltage (Vdc)	Output Voltage (Vdc)	Output Current (mA) Max	Input Current @No Load (mA) Typ.	Input Current @Max. Load (mA) Typ.	Output Ripple (mV) Max.	Load Regulation (%) Max.	Efficiency (%)Typ.
2) Dual Output Series								
SM1-05D05 LF	5	± 5	± 100	28	281	60	± 12	71
SM1-05D09 LF		± 9	± 56	24	256	80	± 12	78
SM1-05D12 LF		± 12	± 42	24	258	100	± 10	78
SM1-05D15 LF		± 15	± 34	26	252	120	± 10	81
SM1-12D05 LF	12	± 5	± 100	15	114	60	± 12	73
SM1-12D09 LF		± 9	± 56	15	106	80	± 12	79
SM1-12D12 LF		± 12	± 42	15	103	100	± 10	81
SM1-12D15 LF		± 15	± 34	15	102	120	± 10	83
SM1-24D3R3 LF	24	± 3.3	± 100	6	45	60	± 12	66
SM1-24D05 LF		± 5	± 100	7	58	60	± 8	76
SM1-24D09 LF		± 9	± 56	8	57	80	± 5	78
SM1-24D12 LF		± 12	± 42	7	56	100	± 5	80
SM1-24D15 LF		± 15	± 34	10	60	120	± 5	75

Mechanical Dimensions (2/2):

Dual Output Series (For Isolation Voltage 1KVdc)



Pin	1K Vdc - Dual		Pin
1	-Vin	NC	18
3	+Vin	No Pin	16
5	No Pin		14
7	Common	+Vo	12
9	-Vo	No Pin	10